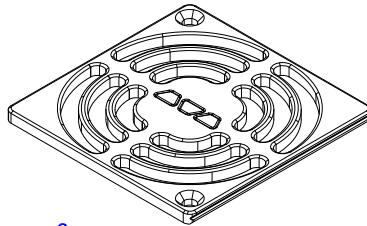
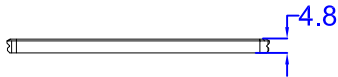
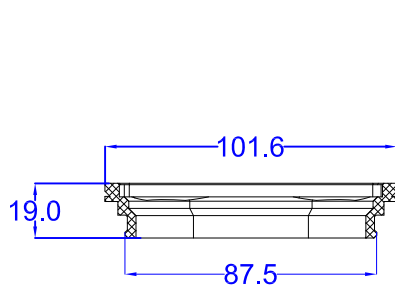
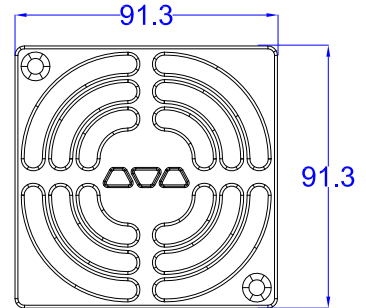


Schluter® - KERDI-DRAIN

4 inch aluminum grate



Flow Through Area = 3180.88 mm²



Scale: N.T.S.

